

FLANGE SPREADER



FLANGE SPREADER

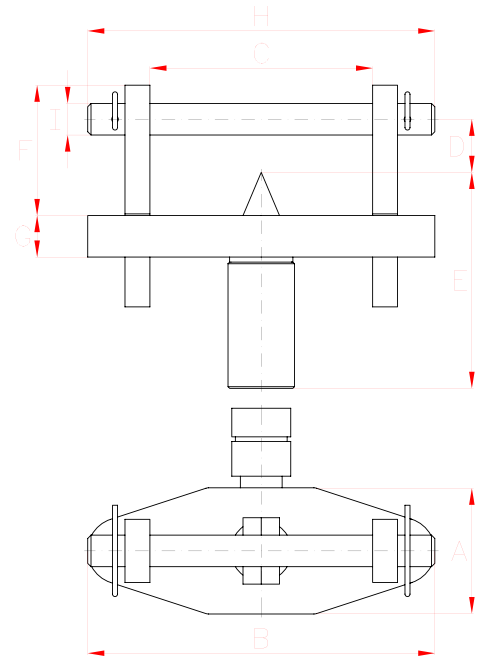


Type **BS**

Capacity **5 - 10 Tn**

Max. pressure **700 bar**

- ✓ 5 and 10 Tn models available.
- ✓ Used for safely opening pipe flanges.
- ✓ Adjustable jaw width from 70 to 226 mm.
- ✓ Ergonomic and lightweight tools.
- ✓ Can be operated individually or in pairs when the diameter of the flange is too big.



Capacity	Stroke	Module	Oil. Cap	Max. Flange thickness	A	B	C (mm)		D	E	F	G	H	I	Weight
							mm	mm							
Tn	mm	LARZEP	cm ³	mm	mm	mm	min	max	mm	mm	mm	mm	mm	mm	kg
5	25	BS00502	18	2 x 57	76	209	70	155	32	130	79	25	209	19	4,2
10	55	BS01005	78	2 x 92	126	300	110	226	57	148	115	38	291	30	13,5

BS TOOLS

